

# 1000 ML AND 2000 ML DISPENSER MOUNTING INSTRUCTIONS

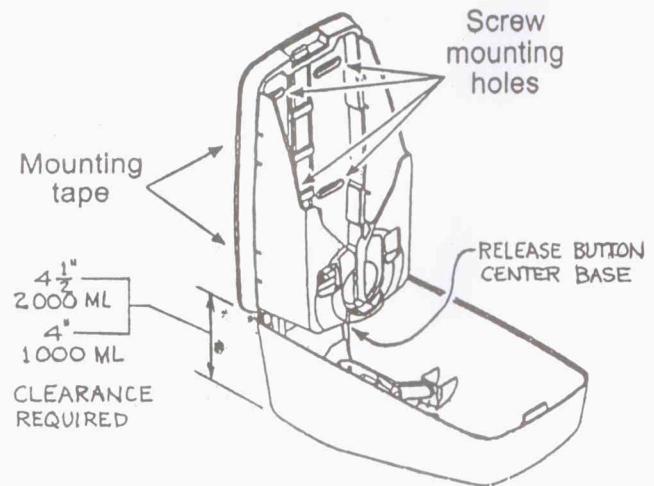
## READ COMPLETE INSTRUCTIONS PRIOR TO INSTALLATION

### TAPE MOUNTING

A. Extreme caution must be exercised to insure mounting surface is flat, free of imperfections, clean and dry. Tape mounting is recommended only for mirrors or other similar flat surfaces without imperfections. Clean flat surface with towelette provided or other surfaces with an abrasive cleaner prior to using towelette (depending on surface condition). Dry surface thoroughly.

B. Remove protective backing from tape as shown and firmly press dispenser against the mounting surface for 10 seconds. Open cover and press directly on the back plate for an additional 10 seconds. Allow 8 hours before loading unit.

C. Opening instructions – Push up on the release button at the center of the base with the middle finger and forefinger. With the other hand, gently pull the top of the cover away from the wall.

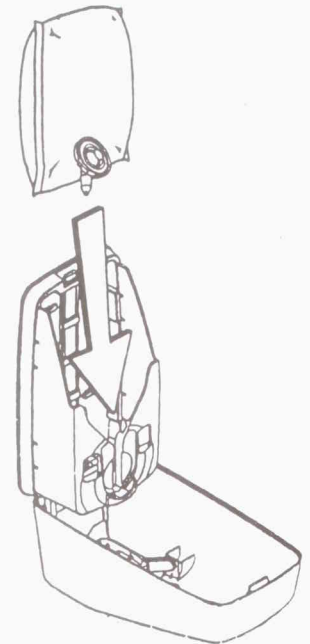


### SCREW MOUNTING

A. Recommended for surfaces that do not meet the standards set forth for Tape Mounting in the section above.

B. Hold dispenser against wall in desired position. Open cover and mark screw hole location on wall, insuring that screw heads will not interfere with release bar.

C. Use appropriate anchors and drill size for #10 x 1" self tapping screws to attach dispenser firmly to wall.



### SOAP INSTALLATION

A. Take one refill pouch and slide the dome pump and tip into the dispenser.

B. Close the dispenser gently.

C. Activate the push bar as necessary to prime the pump.